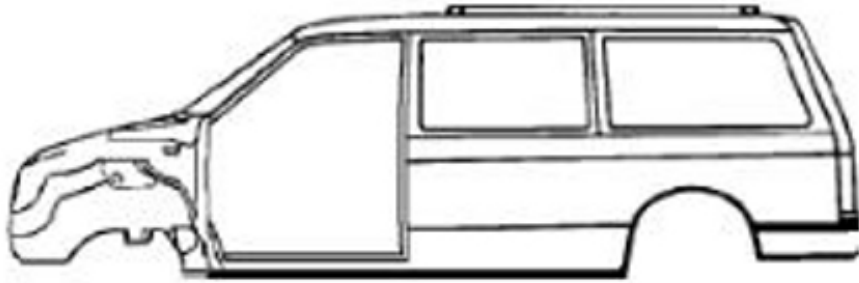
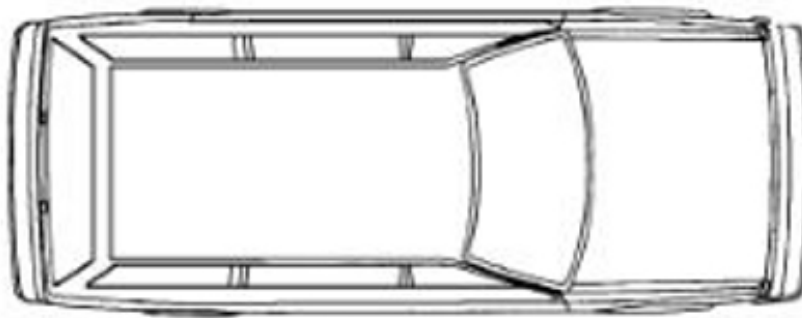


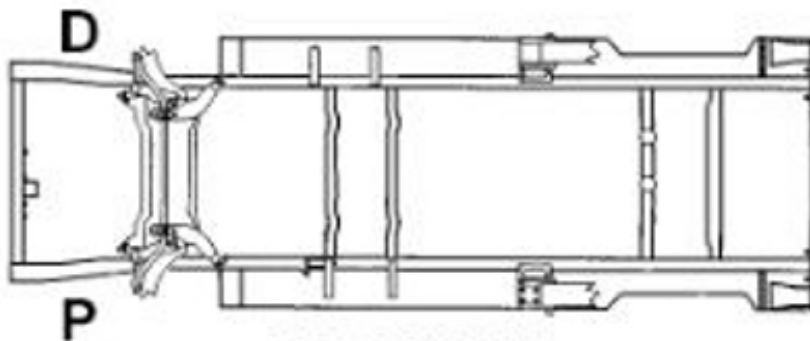
PASSENGER SIDE



DRIVER SIDE



TOP VIEW



BOTTOM VIEW

Mini Van

To: \_\_\_\_\_ From: \_\_\_\_\_ Date: \_\_\_\_\_ RO# \_\_\_\_\_